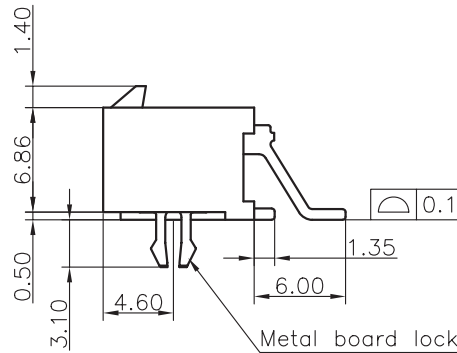


PCB LAYOUT - COMPONENT VIEW



TECHNICAL CHARACTERISTICS

MATERIAL
 INSULATOR: LCP
 FLAMABILITY RATING: UL94-V0
 COLOR: BLACK
 CONTACT MATERIAL: COPPER ALLOY
 CONTACT TYPE: STAMPED
 CONTACT PLATING: TIN
 QUALITY CLASS: 25 MATING CYCLES
 PITCH: 3.00MM

ENVIRONMENTAL
 OPERATING TEMPERATURE: -40 UP TO 105°C
 COMPLIANCE: LEAD FREE AND ROHS

ELECTRICAL
 CURRENT RATING: 5A
 WORKING VOLTAGE: 250V AC
 INSULATOR RESISTANCE: >1000 MOHM
 DIELECTRIC WITHSTANDING VOLTAGE: 1500V AC/MN
 CONTACT RESISTANCE: 10 mOHM MAX

STANDARD
 CERTIFIED: E323964

SOLDERING
 JEDEC LEAD FREE REFLOW

PACKAGING
 TUBE

DIMENSION
 A = 3.00 x (NB. PIN / 2 - 1)
 B = 3.00 x (NB. PIN / 2 + 1) + 0.70

| RoHS Compliant | |
|----------------|-----------|
| G | 20-AUG-14 |
| F | 29-JUL-13 |
| E | 06-JUL-12 |
| D | 18-NOV-09 |
| C | 27-JUL-09 |
| B | 23-AVR-09 |
| A | 04-OCT-04 |
| REV | DATE |

| PACKAGING | AS |
|-------------|----|
| DWG & CARAC | QL |
| PLASTIC | GG |
| STANDARD | JP |
| REAR PIN | JP |
| PACKAGING | JC |
| PDF DRAW | |
| FILE | BY |

| PROJECTION: | APPROVAL: RJ |
|-------------|--------------|
| | |

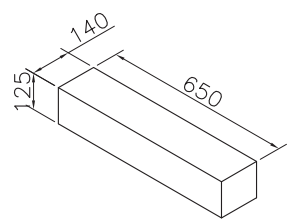
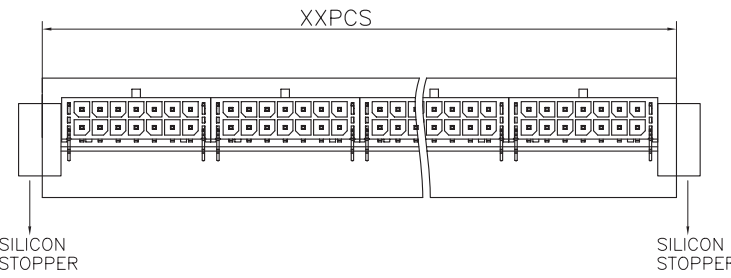
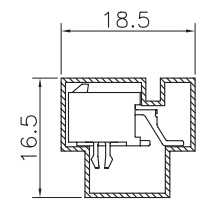
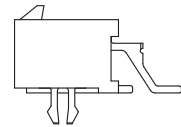
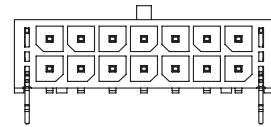
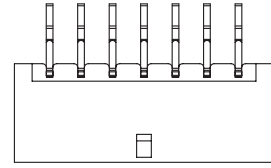
| GENERAL TOLERANCE | UNIT: MM |
|-------------------|----------|
| .X = +/- 0.2 | |
| .XX = +/- 0.15 | |
| SCALE: | |
| SHEET: 1/2 | |
| DRAW: JACK | |

| DESCRIPTION: 3.00MM MALE DUAL ROW SMT RIGHT ANGLE HEADER WITH THROUGH HOLE RETENTION METAL CLIP | |
|---|--|
| WERI PART NO: 662 0xx 230 822 | |

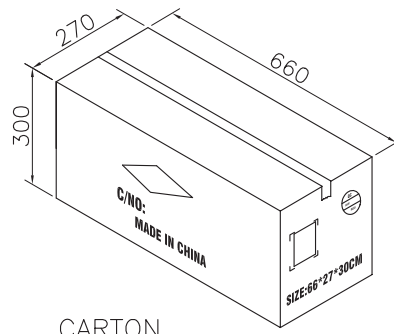
| SIZE |
|------|
| A4 |

Note:
 1,Dimension
 Tube Size: L=635mm
 Inner Carton Size:650(L)X140(W)X125(H) (mm)
 Carton Size:660(L)X270(W)X300(H) (mm)
 2,Quantity:
 42 Tube/Inner Carton
 4 Inner Carton/Carton

| Pin. | Pcs/Tube | Pcs/Inner carton | Pcs/Carton |
|------|----------|------------------|------------|
| 2 | 91 | 3822 | 15288 |
| 4 | 63 | 2646 | 10584 |
| 6 | 48 | 2016 | 8064 |
| 8 | 39 | 1638 | 6552 |
| 10 | 32 | 1344 | 5376 |
| 12 | 28 | 1176 | 4704 |
| 14 | 24 | 1008 | 4032 |
| 16 | 22 | 924 | 3696 |
| 18 | 20 | 840 | 3360 |
| 20 | 18 | 756 | 3024 |
| 22 | 16 | 672 | 2688 |
| 24 | 15 | 630 | 2520 |



INNER CARTON



CARTON

| | | | | | | | | | |
|----------------|------|------|--------------|-----------------|---|--|---|-------------------|------------|
| RoHS Compliant | | | | PROJECTION: | GENERAL TOLERANCE .X = +/- 0.2 .XX = +/- 0.15 | | DESCRIPTION: 3.00MM MALE DUAL ROW SMT RIGHT ANGLE HEADER WITH THROUGH HOLE RETENTION METAL CLIP WERI PART NO: 6620 xx 230822_TPK | SIZE A4 | |
| G | | | APPROVAL: RJ | | | | | | UNIT: MM |
| F | | | | | | | | | SCALE: |
| E | | | | | | | | | SHEET: 2/2 |
| D | | | | | | | | | |
| C | | | | | | | | | |
| B | | | | | | | | | |
| A | | | | | | | | | |
| REV | DATE | FILE | BY | | DRAW: PEARL | | | | |