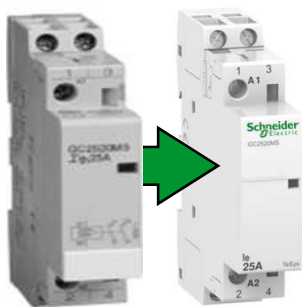


Product Update

New appearance of Modular contactors (GC / GY range)

> August 2013



During September 2013, the design of the TeSys Modular contactor series; GC and GY will change.

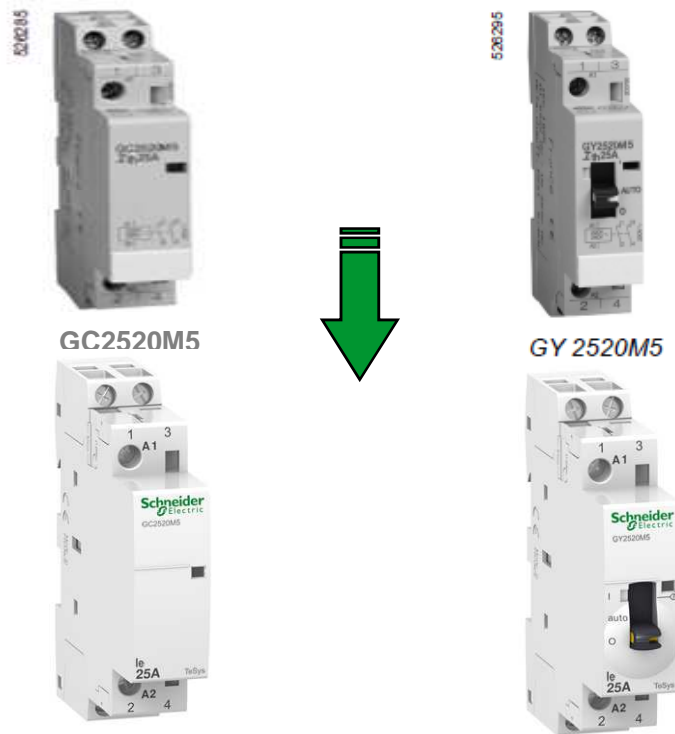
This new enhanced appearance will commence the program of bringing the TeSys Modular contactor offer in line with the appearance of the new ACTI 9 MCB offer.

Key details of the changes and improvements

- Part numbers will not change.
- Colour will change from light grey to white (same as ACTI 9)
- Parts affected in phase 1 from September 2013; TeSys GC and TeSys GY. See attached page for full list of parts.
Note: The update to TeSys GF is forecast for during 2014.
- Control circuits have been improved to reduce the power consumed and the heat dissipation, for example the 25A, 2P, 230V - the old version is 3,8VA, the new version is 2,7VA.
- There are slight increases to the dimensions of the 2 and 3 module products, although the width remains the same. See attached page for full list of changes.
- As part of this update, some of the product range with very low sales will be discontinued. See attached page for list of part numbers affected.
- New documentation will be available during September 2013.
- During the period of transition it will not be possible for us to ensure all orders are fulfilled with the same design, as stock of old design product will be supplied until exhausted.

For further information please contact us on 0870 608 8 608
or go to www.schneider-electric.com/uk

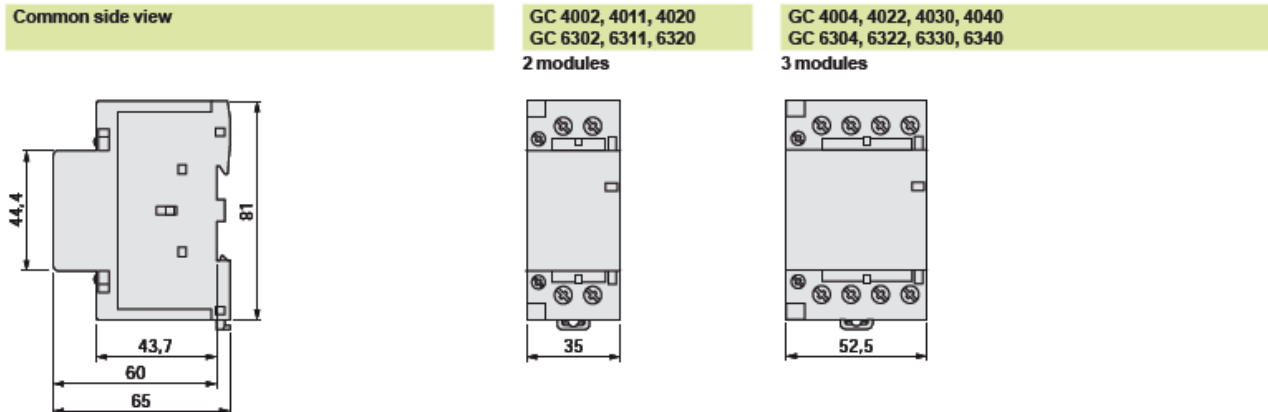
Design and dimensional changes



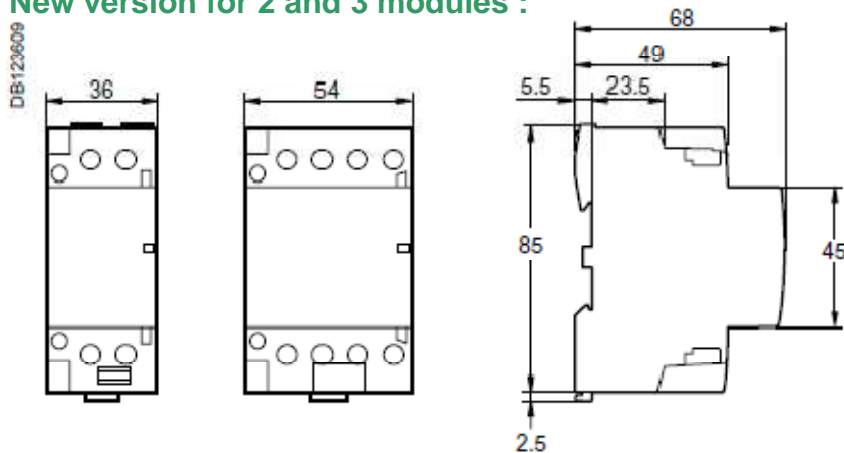
Dimensions

- 1 module (17,5mm)** : 16A and 25A 1P and 2P : **No modification**
- 2 modules (35mm)** : for 16A/25A : 3P and 4P and for 40A/63A : 1P et 2P
- 3 modules (52,5mm)** : for 40A/63A : 3P and 4P

Old version for 2 and 3 modules :



New version for 2 and 3 modules :

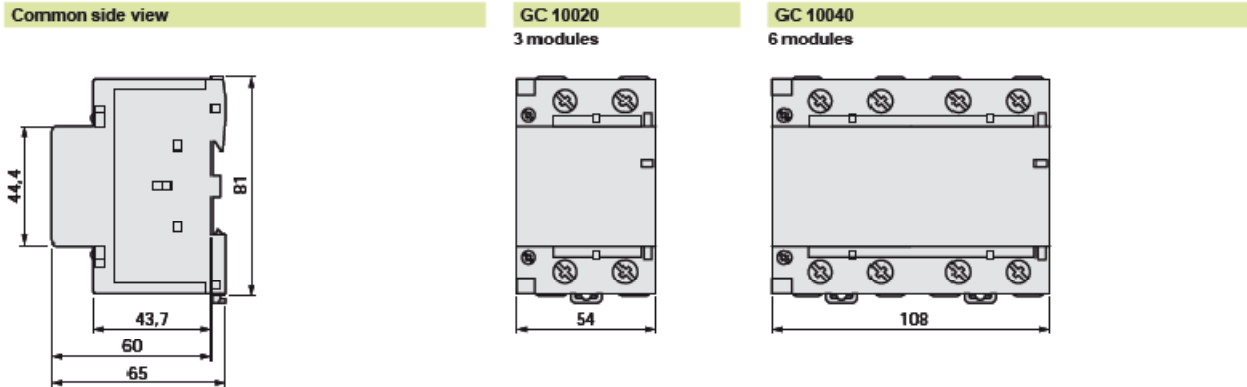


Design and dimensional changes - Continued

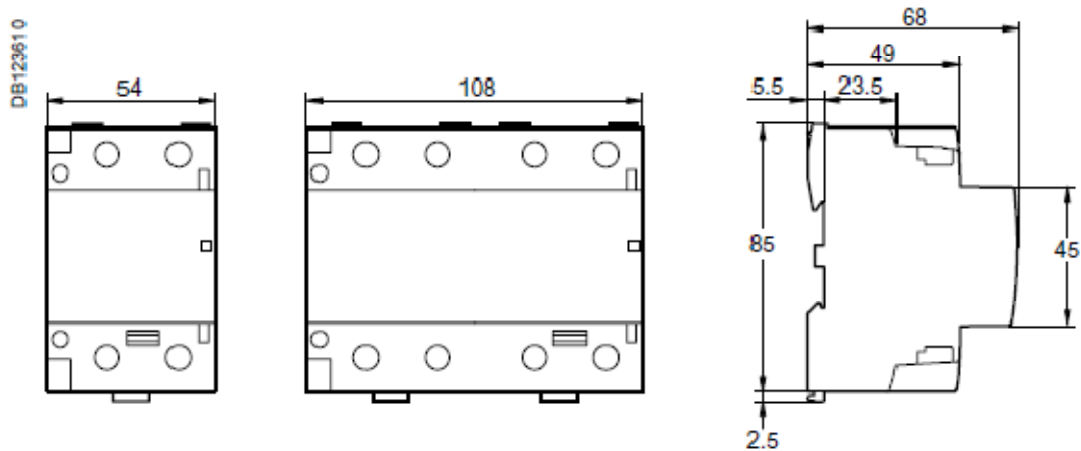
3 modules (54mm) : for 100A : 2P

6 modules (108mm) : for 100A 4P

Old version for 3 and 6 modules :



New version for 3 and 6 modules :



Part number changing in design;

GAC0511	GC1620M6	GC2511M6	GC2540M525	GC4040M525	GY1620B5
GAC051127	GC1622B5	GC2520B5	GC2540M527	GC4040M527	GY1620M5
GAC0521	GC1622E5	GC2520E5	GC2540M6	GC4040M6	GY1640M5
GAC052125	GC1622F5	GC2520F5	GC4002B5	GC6302M5	GY2520B5
GAC0531	GC1622F6	GC2520F6	GC4002M5	GC6304B5	GY2520M5
GAC5	GC1622M5	GC2520J5	GC4004B5	GC6304M5	GY2520M525
GAP21	GC1630B5	GC2520M5	GC4004F5	GC6311M5	GY2520M6
GAP23	GC1630M5	GC2520M511	GC4004F6	GC6320M5	GY2530M5
GC10020M5	GC1630M6	GC2520M525	GC4004M5	GC6320M525	GY2540B5
GC10040B5	GC1640B5	GC2520M527	GC4011B5	GC6321M5	GY2540M5
GC10040M5	GC1640F5	GC2520M6	GC4011M5	GC6322F5	GY4020M5
GC10040M6	GC1640M5	GC2522B5	GC4011M6	GC6322M5	GY4030M5
GC1610B5	GC1640M6	GC2522E5	GC4020B5	GC6330B5	GY4040B5
GC1610E5	GC2502B5	GC2522F5	GC4020F5	GC6330F5	GY4040M5
GC1610F5	GC2502E5	GC2522M5	GC4020F6	GC6330M5	GY6320M5
GC1610J5	GC2502F6	GC2522M527	GC4020M5	GC6330M6	GY6340B5
GC1610M5	GC2502M5	GC2522M6	GC4020M511	GC6340B5	GY6340M5
GC1610M6	GC2502M6	GC2530B5	GC4020M525	GC6340E5	
GC1611B5	GC2504B5	GC2530F5	GC4020M6	GC6340F5	
GC1611F5	GC2504E5	GC2530M5	GC4022M5	GC6340F6	
GC1611J5	GC2504F6	GC2530M6	GC4022M527	GC6340M5	
GC1611M5	GC2504M5	GC2531M5	GC4030B5	GC6340M525	
GC1611M6	GC2504M6	GC2531M527	GC4030F5	GC6340M527	
GC1620B5	GC2510B5	GC2540B5	GC4030M5	GC6340M6	
GC1620D7	GC2510M5	GC2540E5	GC4030M6	GW254	
GC1620E5	GC2510M6	GC2540F5	GC4040B5	GW25427	
GC1620F5	GC2511B5	GC2540F6	GC4040E5	GW632	
GC1620F6	GC2511F5	GC2540J5	GC4040F5	GW634	
GC1620J5	GC2511M5	GC2540M5	GC4040F6	GW63427	
GC1620M5	GC2511M511	GC2540M511	GC4040M5	GY1611B5	

Part numbers that will be withdrawn;

GAC05216	AUXILIARY CONTACTS O + C
GC10040M56	CONTACTOR 100A 4F 220 240V
GC1610B6	contacto r GC 1 NO 16 A 24 V AC
GC2502M527	CONTACTOR 25A 20 230V 50HZ
GC2504M527	CONTACTOR 25A 40 220 240V
GC4040M511	CONTACTOR 40A 4F 230V
GC6320E5	CONTACTO R GC 2 NO 63 A 48 V AC
GC6340M511	CONTACTOR 63A 4NO 230V
GY1611M5	Day Night contacto r GY 1 NO 1 NC 16 A 220 to 240 V AC
GY2511M5	Day Night contacto r GY 1 NO 1 NC 25 A 220 to 240 V AC