

Adapter plate - HC-B 10-ADP/1 DSUB 25 - 1775499


Please be informed that the data shown in this PDF Document is generated from our Online Catalog. Please find the complete data in the user's documentation. Our General Terms of Use for Downloads are valid (<http://phoenixcontact.com/download>)



D-SUB adapter plate, for one D-SUB connector, no. of positions 25, housing series HC-B 10...



Key commercial data

Packing unit	2 pc
Minimum order quantity	2 pc
GTIN	 4 017918 038090
Weight per Piece (excluding packing)	15.0 g
Custom tariff number	85472000
Country of origin	Germany

Technical data

Dimensions

Length	64.5 mm
Height	34.5 mm
Hole diameter	3.2 mm
Drill hole distance, horizontal	57 mm
Drill hole distance, vertical	27 mm

General

Note	For housing HC-B10
Material	PA
Inflammability class according to UL 94	HB
Color	gray
Number of positions	25
Type	B10

Adapter plate - HC-B 10-ADP/1 DSUB 25 - 1775499

Classifications

eCl@ss

eCl@ss 4.0	27140816
eCl@ss 4.1	27140816
eCl@ss 5.0	27143424
eCl@ss 5.1	27143424
eCl@ss 6.0	27143424
eCl@ss 7.0	27440209

ETIM

ETIM 3.0	EC002309
ETIM 4.0	EC002309
ETIM 5.0	EC002309

UNSPSC

UNSPSC 6.01	30211808
UNSPSC 7.0901	39121408
UNSPSC 11	39121408
UNSPSC 12.01	39121408
UNSPSC 13.2	39121408

Approvals

Approvals

Approvals

EAC

Ex Approvals

Approvals submitted

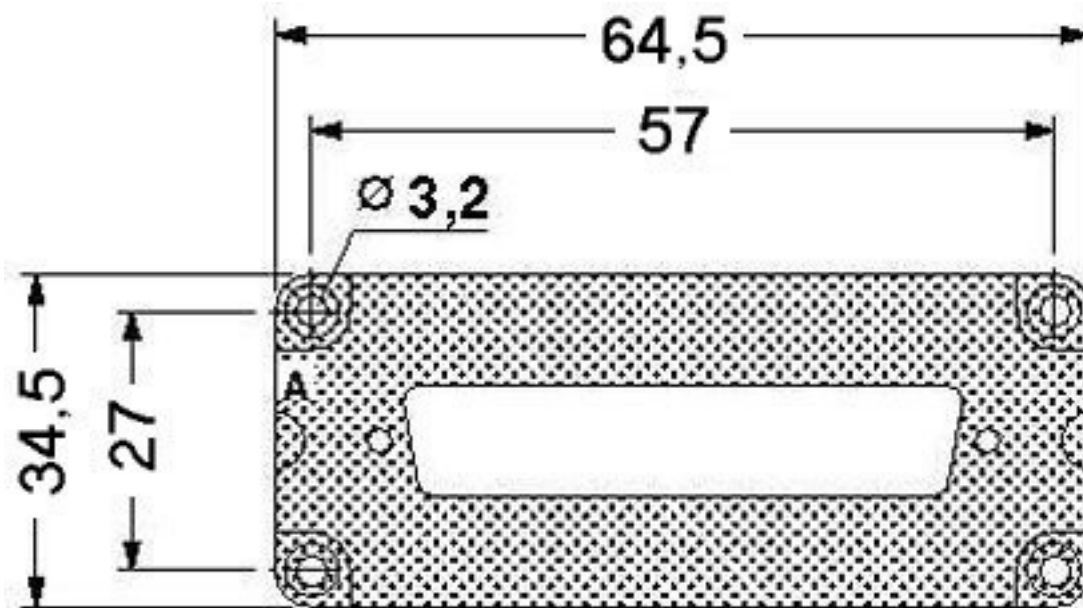
Approval details

EAC

Drawings

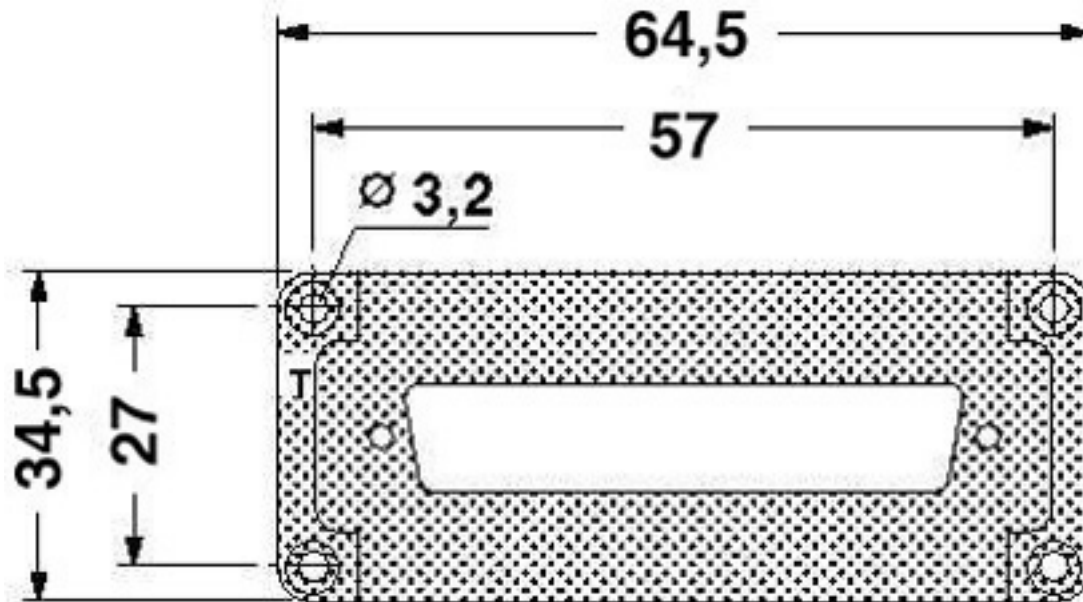
Adapter plate - HC-B 10-ADP/1 DSUB 25 - 1775499

Dimensioned drawing



See assembly instruction

Dimensioned drawing



See assembly instruction