

# SPECIFICATIONS

(RoHS Compliant)

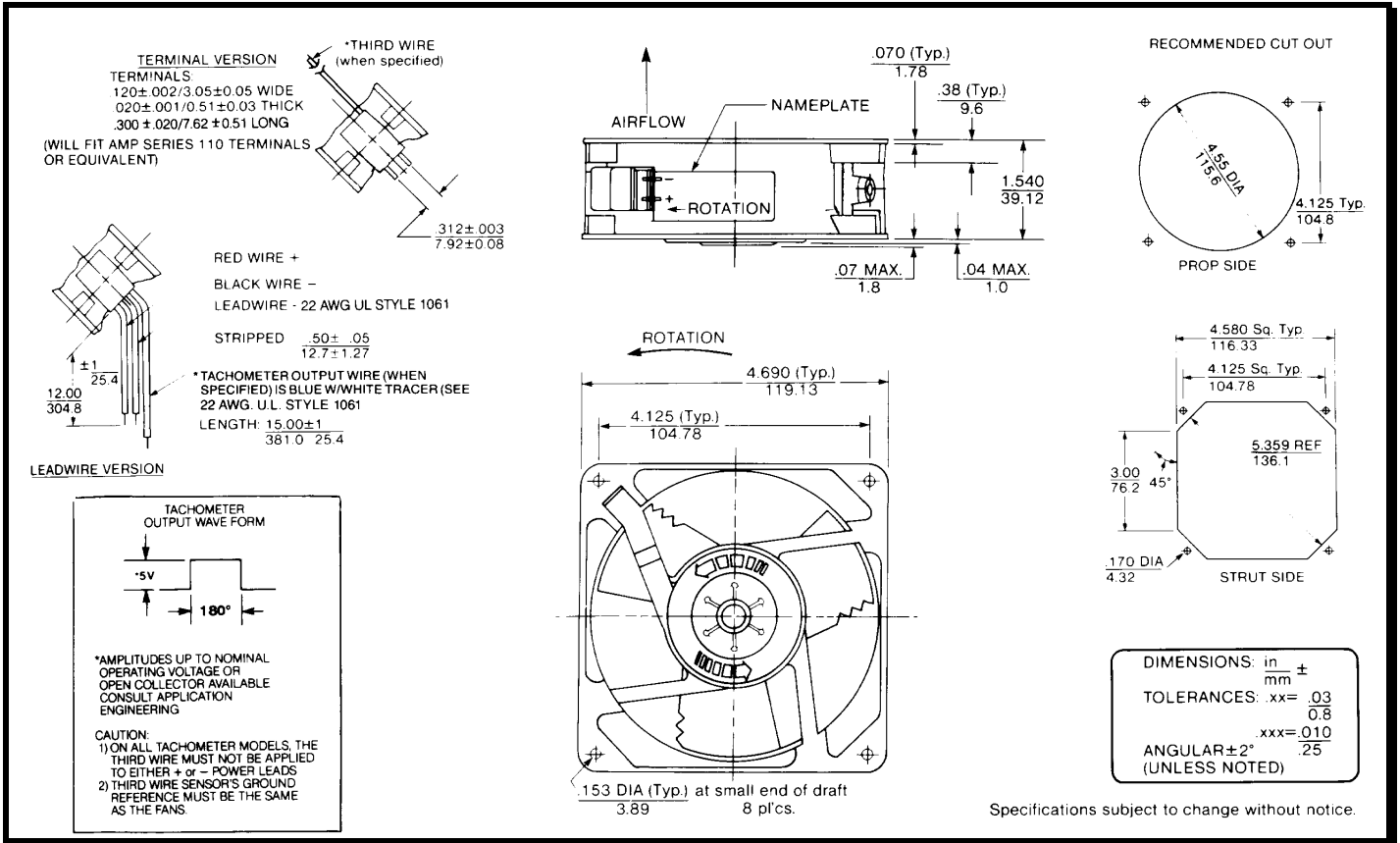


**Model Number:** MD24B5-E2

**Part Number:** 19039030A

Apr. 01, 2016

## Mechanical Drawing:



### Motor:

Nominal Voltage	= 24 vdc
Operating Voltage Range	= 12 - 28 vdc
Running Current	= 0.250 amps
Locked Rotor Current	= 0.750 amps
Running Power	= 6.0 watts
Average Speed	= 3100 rpm
Bearings	= Ball
Air Flow	= 110 CFM
Acoustic	= 50.0 dBA

### Construction:

Venturi: Die-Cast Zinc Alloy, Black  
Propeller: Plastic, Black, UL 94V-0

### Life Expectancy:

This fan is designed for continuous duty life of 83,000 hours at 40°C.

### Agency Approved:

UL, CE

### Additional Features:

Brushless DC Motor  
Electronic Locked Rotor Protected  
Polarity Protected  
Automatic Restart Capability  
Operating Temperature: -10°C to 70°C  
Storage Temperature: -40°C to 85°C  
Environmental Type II coating

### Tachometer:

Output: 5 volt TTL  
Isolated: No  
Pulses per Rev.: 2

### Termination:

12" Lead wires, 22AWG, UL 1061  
Red - Fan Power, (+)  
Black - Fan Ground, (-)  
Blue/White - Tachometer, (Output)