

## D-SUB connector - VS-09-PROFIBUS-SC - 1654549

Please be informed that the data shown in this PDF Document is generated from our Online Catalog. Please find the complete data in the user's documentation. Our General Terms of Use for Downloads are valid (<http://phoenixcontact.com/download>)




D-SUB connector, degree of protection: IP67, number of positions: 9, material: PA, connection method: Screw connection, connection cross section: AWG 26- 16, cable outlet: Angled, with integrated termination resistor, size of housing: 1, color: gray

### Your advantages

- EMC protection
- Switchable terminator
- Coding sections (CR) as protection against mismatching



### Key Commercial Data

Packing unit	1 pc
GTIN	 4 017918 955083
GTIN	4017918955083
Weight per Piece (excluding packing)	93.500 g
Custom tariff number	85366990
Country of origin	Germany

### Technical data

#### Mechanical characteristics

Number of positions	9
Shielded	yes
Insertion/withdrawal cycles	≥ 200
Connection method	Screw connection
Conductor cross section	0.14 mm <sup>2</sup> ... 1.5 mm <sup>2</sup> (solid) 0.14 mm <sup>2</sup> ... 1 mm <sup>2</sup> (flexible)
Connection cross section AWG	26 ... 16 (solid) 26 ... 18 (flexible)
External cable diameter	5 mm ... 9 mm
Cable outlet	Angled

## D-SUB connector - VS-09-PROFIBUS-SC - 1654549

### Technical data

#### Mechanical characteristics

Color	gray
Degree of protection	IP67
Type	D-SUB 9
Size of housing	1
No. of cable outlets	2

#### Ambient conditions

Ambient temperature (operation)	-20 °C ... 75 °C
Degree of protection	IP67

#### Material data

Flammability rating according to UL 94	V0
Housing material	PA
Housing surface material	PA, light gray
Cable seal material	CR/NBR
Height	59 mm

#### Electrical characteristics

Number of positions	9
Rated current	1 A
Overvoltage category	II
Degree of pollution	2
Rated voltage (III/3)	50 V

#### Standards and Regulations

Flammability rating according to UL 94	V0
--	----

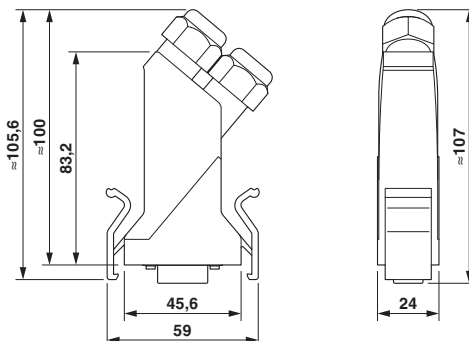
#### Environmental Product Compliance

China RoHS	Environmentally Friendly Use Period = 50
	For details about hazardous substances go to tab "Downloads", Category "Manufacturer's declaration"

### Drawings

# D-SUB connector - VS-09-PROFIBUS-SC - 1654549

Dimensional drawing



D-SUB connector

## Classifications

eCl@ss

eCl@ss 4.0	27140816
eCl@ss 4.1	27260701
eCl@ss 5.0	27260701
eCl@ss 5.1	27260700
eCl@ss 6.0	27260700
eCl@ss 7.0	27440302
eCl@ss 8.0	27440302
eCl@ss 9.0	27440302

ETIM

ETIM 2.0	EC001121
ETIM 3.0	EC001132
ETIM 4.0	EC002641
ETIM 5.0	EC001132
ETIM 6.0	EC001132

UNSPSC

UNSPSC 6.01	31261501
UNSPSC 7.0901	31261501
UNSPSC 11	31261501
UNSPSC 12.01	31261501
UNSPSC 13.2	39121522

## Approvals

Approvals

## D-SUB connector - VS-09-PROFIBUS-SC - 1654549

### Approvals

Approvals


EAC

---

Ex Approvals

---

### Approval details

EAC		B.01742
-----	---	---------

### Accessories

Accessories

Panel mounting frame

D-SUB panel mounting frames - VS-09-A - 1688366



D-SUB panel mounting frame, shell size 1, IP67 degree of protection

---

D-SUB panel mounting frames - VS-09-A-GC-BU/BU - 1689695



D-SUB panel mounting frame, shell size 1, with nine signal contacts, socket, gender changer, shielded, IP67 degree of protection

---

D-SUB panel mounting frames - VS-09-A BK - 1658079



D-SUB panel mounting frame, shell size 1, IP67 degree of protection, black

---

Protective cover

## D-SUB connector - VS-09-PROFIBUS-SC - 1654549

### Accessories

D-SUB protective cover - VS-09-SD - 1887086

D-SUB protective cover, material: PA, size of housing: 1, color: gray



Phoenix Contact 2019 © - all rights reserved  
<http://www.phoenixcontact.com>