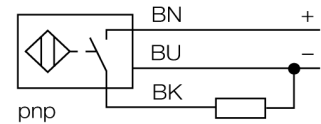


- Rectangular, height 8 mm
- Active face on top
- Factor 1 for all metals
- Extended switching distance
- Protection class IP68
- Magnetic field immune
- Predamping protection through self-compensation
- Flush-mountable on up to 4 sides
- DC 3-wire, 10...30 VDC
- NO contact, PNP output
- Cable connection

Type	Ni4U-Q8SE-AP6X
Ident-No.	4635807
Rated operating distance Sn	4 mm
Mounting condition	non-flush, flush mountable
Assured sensing range	$\leq (0,81 \times S_n)$ mm
Repeatability	$\leq 2 \%$
Temperaturdrift	10 %
	$\leq \pm 15 \%$, $\leq -25 \text{ °C}$ v $\geq +70 \text{ °C}$
Hysteresis	3...15 %
Ambient temperature	-30...+85 °C
Operating voltage	10...30VDC
Residual ripple	$\leq 10 \%$ U_{ss}
DC rated operational current	≤ 150 mA
No-load current I_0	≤ 15 mA
Residual current	≤ 0.1 mA
Rated insulation voltage	≤ 0.5 kV
Short-circuit protection	yes/ cyclic
Voltage drop at I_n	≤ 1.8 V
Wire breakage / Reverse polarity protection	yes/ complete
Output function	3-wire, NO contact, PNP
Protection class	□
Switching frequency	1 kHz
Design	rectangular, Q8SE
Dimensions	40 x 8 x 8 mm
Housing material	Plastic, PP, yellow
Tightening torque	0.6 Nm
Connection	cable
Cable quality	3 mm, LifYY-11Y, PUR, 2 m
Cable cross section	3 x 0.14 mm ²
Vibration resistance	55 Hz (1 mm)
Shock resistance	30 g (11 ms)
Protection class	IP68
MTTF	874years acc. to SN 29500 (Ed. 99) 40 °C
Switching state	LED yellow

Wiring diagram

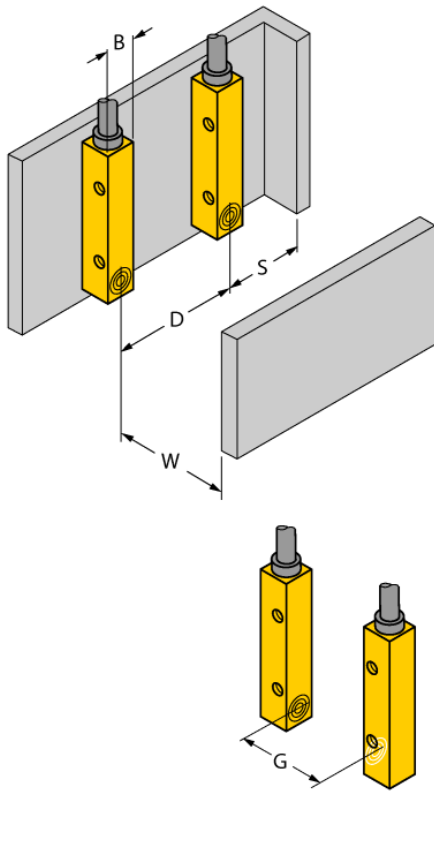


Functional principle

Inductive sensors detect metal objects contactless and wear-free. Due to the patented multi-coil system, *Uprox*®+ sensors have distinct advantages compared to conventional sensors. They excel in highest switching distances, maximum flexibility and operational reliability as well as efficient standardization.

Mounting instructions	minimum distances
Distance D	24 mm
Distance W	12 mm
Distance S	12 mm
Distance G	24 mm

Width of the active face B	8 mm
----------------------------	------



Flush mounting on 4 sides

1-side mounting:
Sr = 3,5 mm

2-side mounting:
Sr = 3,0 mm

3-side mounting:
Sr = 2,5 mm

4-side mounting:
Sr = 2,0 mm