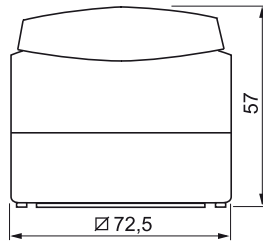
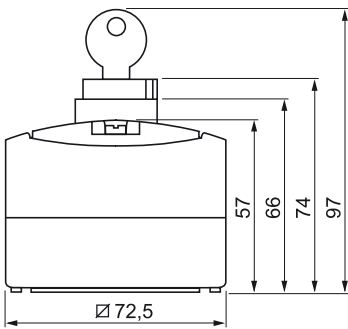


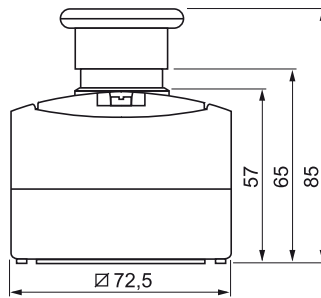
Rockers and mechanical timers



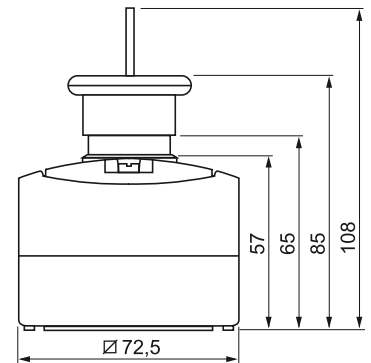
Power sockets 16A



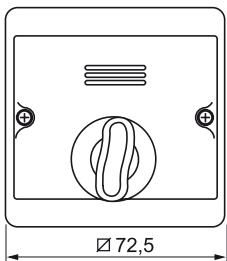
Key switch



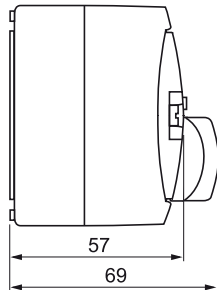
Emergency stop



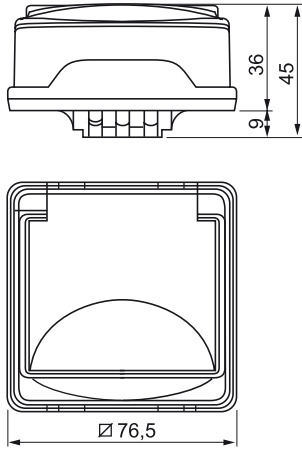
Key emergency stop



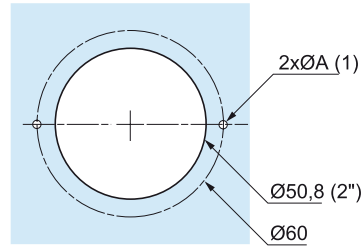
Time delay



Socket front plate

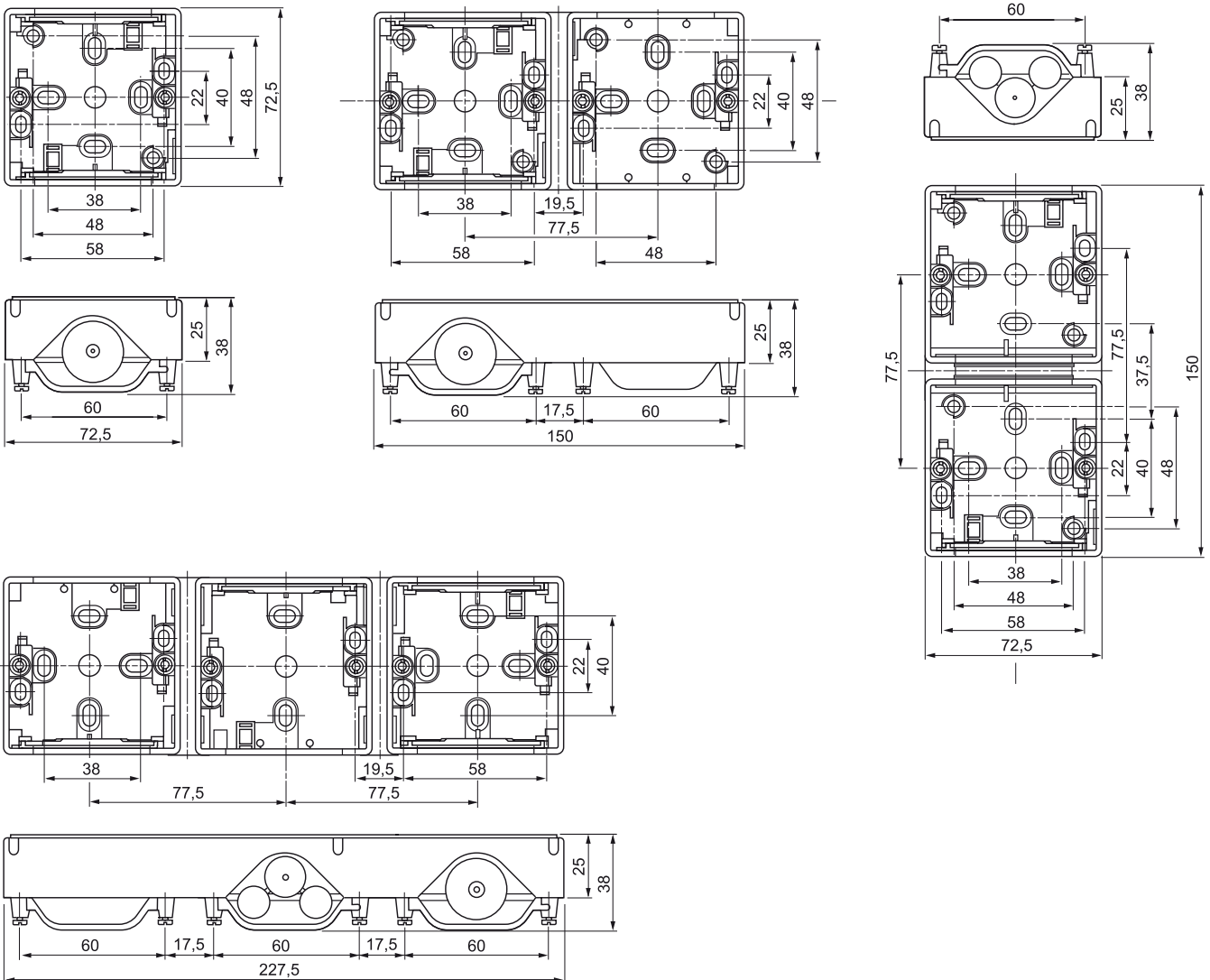


Drilling for mounting in front plate

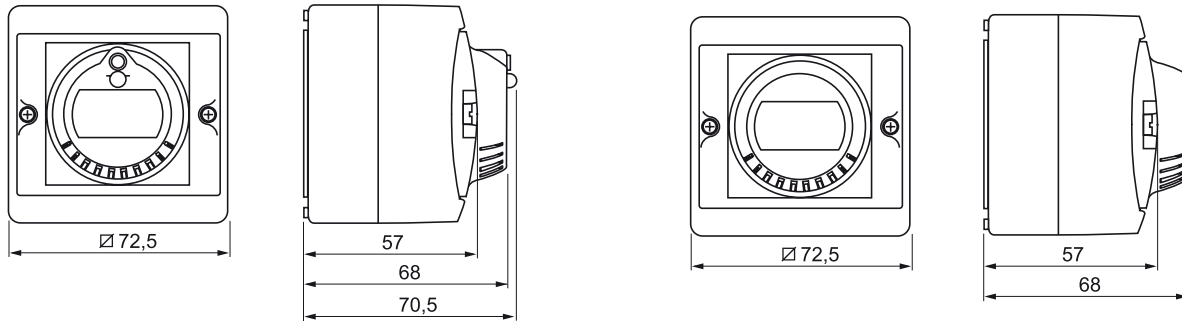


(1) Depending on the fixing screw used

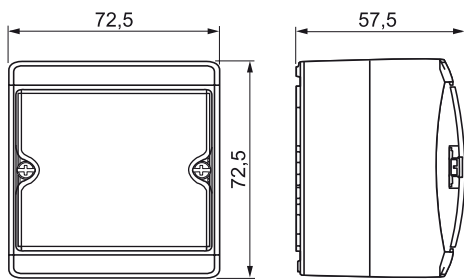
Empty boxes



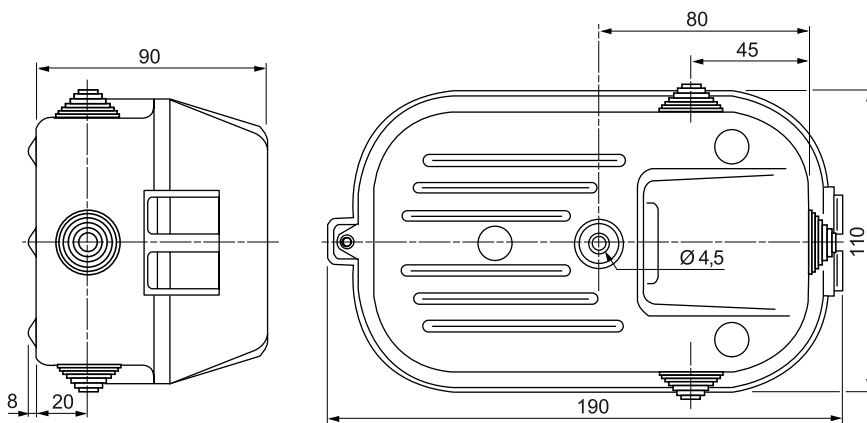
Sensors



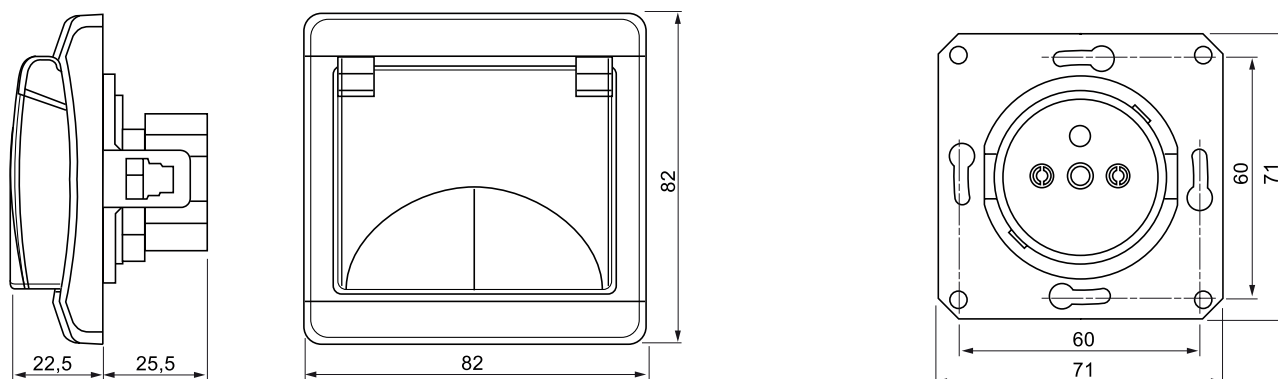
Signaling bulbs



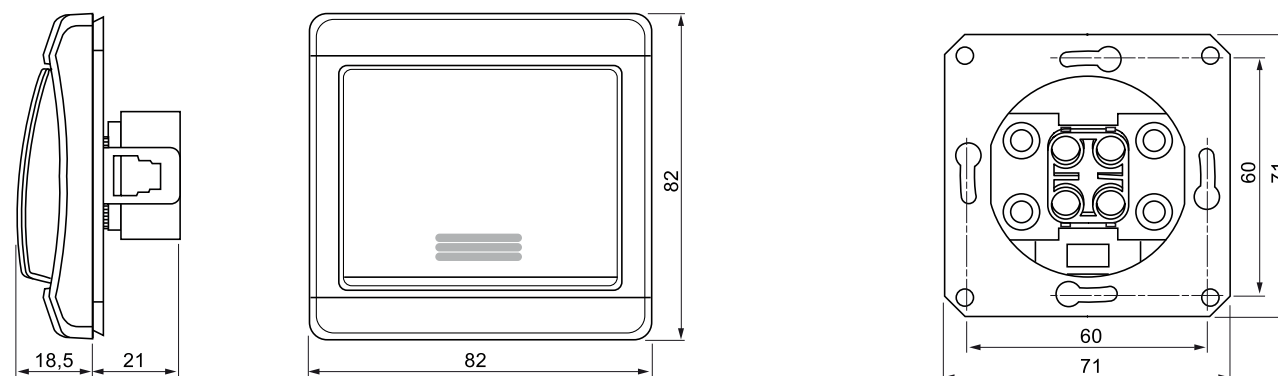
Signaling bulbs



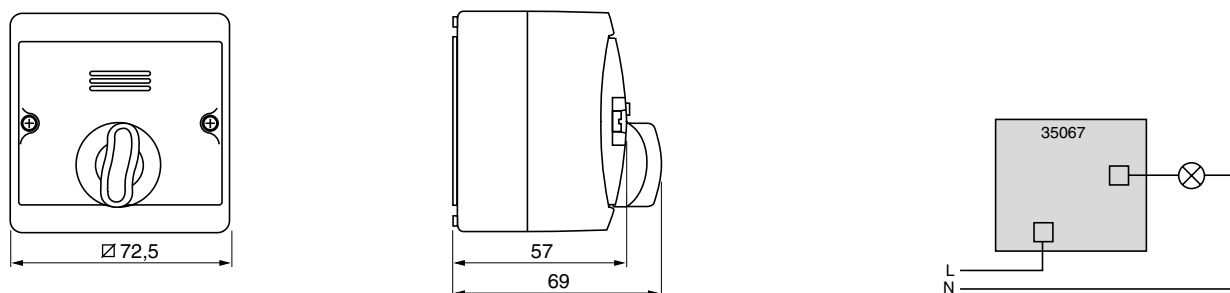
Power sockets



Switches, rockers, push-buttons



Time delay



Double frame

