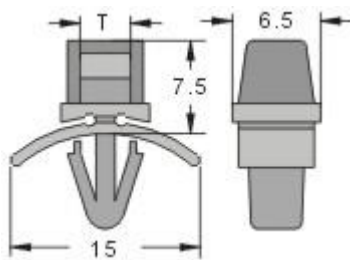


Product Datasheet

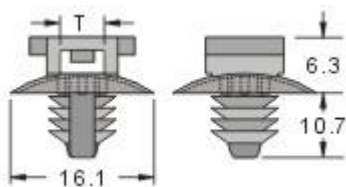
Push Tie Mount



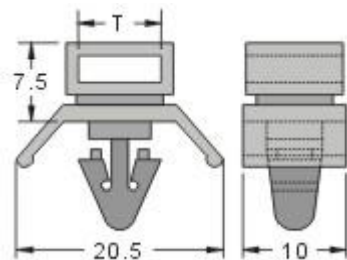
- **Material: UL approved Nylon 66, 94V-2**
- **Color: Natural**
- **Drill hole on board to fix tie mount and then insert tie into the mount for bundling cables.**



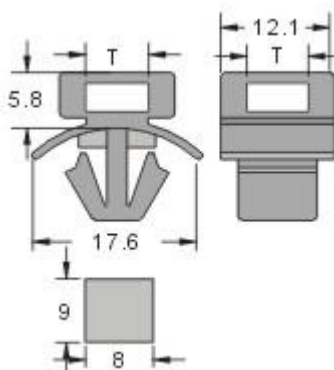
8659675



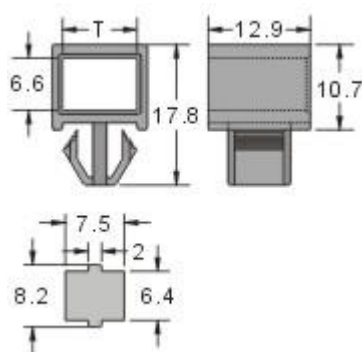
8659679 / 8659688



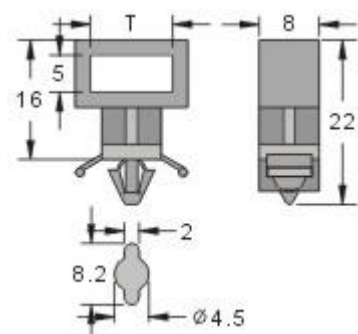
8659685



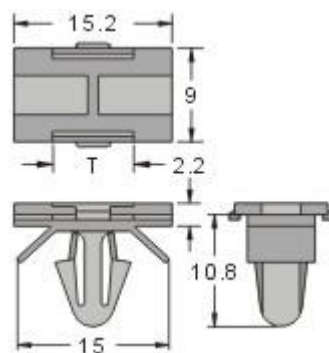
8659681



8659694



8659697



8659691

RS Number	Color	T	Mounting Hole	Packing
8659675	Natural	3.8	4.8	100
8659679		5	7	
8659688		5	7	
8659681		6.5	As Figure	
8659685		8.1	6.2	
8659694		9.4	As Figure	
8659697		11	As Figure	
8659691		7.8	6	