

## Linear Double Ended ECO 118mm

DE 118MM ECO 240V 400W R7S SV1

0021720



### Range features

- Xenon technology
- Sparkling light output
- Less CO2 emissions
- Less heat generation
- Transformer free operation
- Filament support method patented
- Average rated life 1000hrs or 2000hrs - 20% energy savings compared to standard halogen double ended lamps with same light output



### PRODUCT OVERVIEW

Ordering number	0021720
Light colour	829 Warm white
Technology	Halogen
Energy class	C
Average life (Rated) (h)	2000
Lamp finish	clear
Lamp shape	Linear
Dimmable	Yes
Cap/Base	R7s
Type	Linear Double Ended
EAN code	5410288217208
CRI (Ra)	100
Beam angle(°)	na
Colour temperature (K)	3000
Luminous flux (Rated) (lm)	8800
Watt (Nominal) (W)	400
Voltage (V)	240

# Linear Double Ended ECO 118mm

DE 118MM ECO 240V 400W R7S SV1

0021720

## DATA TABLE

### General data

Ordering number	0021720
Technology	Halogen
Average life (Nominal) (h)	2000
Average life (Rated) (h)	2000
Energy saving lamp	No
Energy class	C
Lamp shape	Linear
Lamp finish	clear
Dimmable	Yes
Cap/Base	R7s
Type	Linear Double Ended
EAN code	5410288217208
E-number SE	8355621
E-number FI	4740104
Long description	Xenon technology. Sparkling light output. Less CO2 emissions. Less heat generation. Transformer free operation. Filament support method patented. Average rated life 1000hrs or 2000hrs - 20% energy savings compared to standard halogen double ended lamps with same light output
Product name	DE 118MM ECO 240V 400W R7S SV1
Lamp mercury content (mg)	0
Starting time (max) (s)	0.01
Warm-up time to 60% of full light (max) (s)	Instant full light
Control gear required	No
Fixture rating	Enclosed
IEC Reference	IEC 60357
IEC Reference 2	IEC 60432-3
Intended purpose	General lighting
No. of switching cycles before premature failure (min)	> 8000
Special purpose lamp	No
Transformer required	No
Sales pack quantity	10
Optimal operating condition (°C)	25

## Linear Double Ended ECO 118mm

DE 118MM ECO 240V 400W R7S SV1

0021720

### Optical data

Light colour	829 Warm white
CRI (Ra)	100
Suitable for accent lighting	No
Beam angle(°)	na
Colour temperature (K)	3000
Luminous flux (Rated) (lm)	8800
Lumen maintenance at end of nominal life (%)	80
Luminous flux (Nominal) (lm)	8800

### Electrical data

kWh per 1000 hours burning time	400
Watt (Rated) (W)	400
Watt (Nominal) (W)	400
Voltage (V)	240
Lamp power factor	1

### Physical data

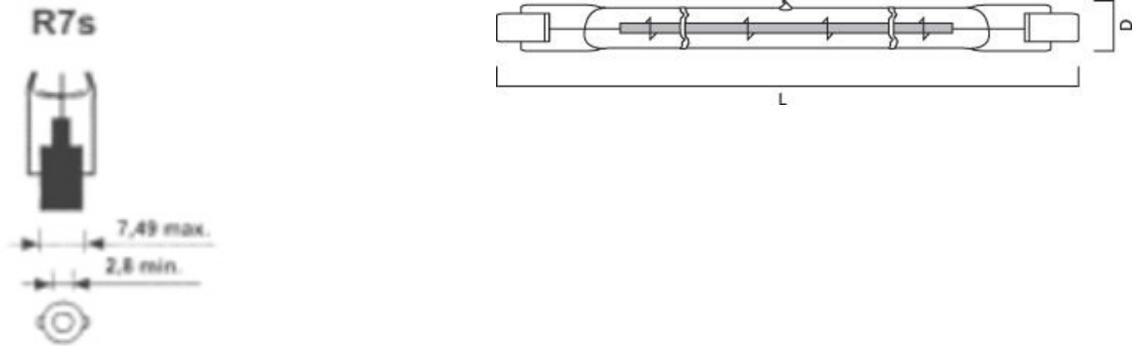
Weight (kg)	0.01
Lamp Length (mm) - C/L	119.6
Max. Lamp Diameter (mm) - D	12
Single packaging type	Box/Sleeve
Single package dimensions (L x W x H) (cm)	16.50 x 2.50 x 2.90
Inner package dimensions (L x W x H) (cm)	17.00 x 13.00 x 6.50
Inner package net weight (kg)	0.08
Outer package dimensions (L x W x H) (cm)	37.50 x 28.50 x 19.50

## Linear Double Ended ECO 118mm

DE 118MM ECO 240V 400W R7S SV1

0021720

### TECHNICAL DRAWINGS



### ENERGY LABEL

