

THIS DRAWING IS UNPUBLISHED.

RELEASED FOR PUBLICATION

© COPYRIGHT

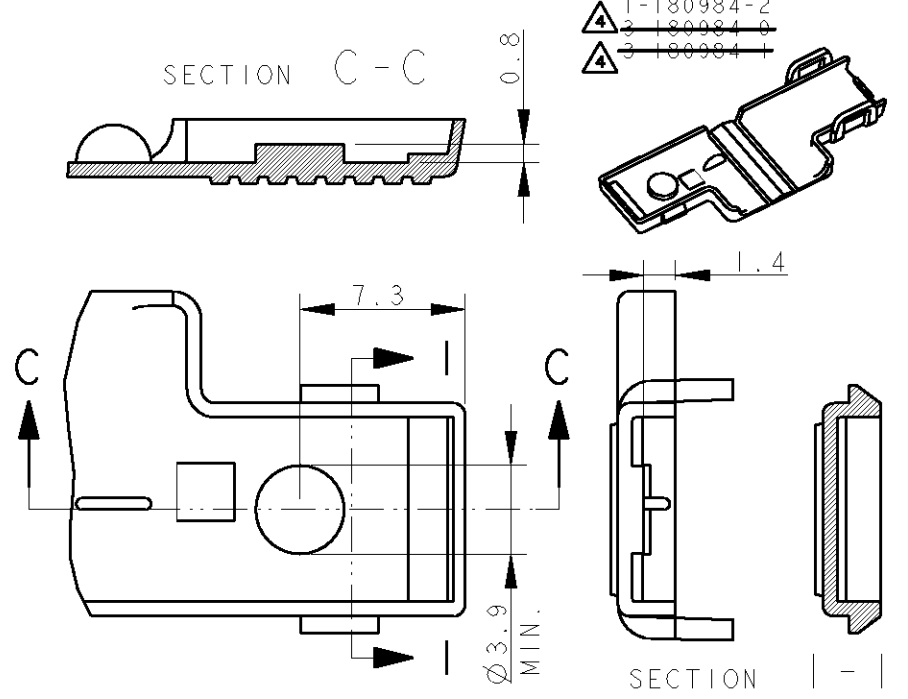
ALL RIGHTS RESERVED.

LOC	DIST
1	-

REVISIONS					
P	LTR	DESCRIPTION	DATE	DWN	APVD
AZ4		REVISED PER ECO-11-005140	31MAR11	RK	HMR

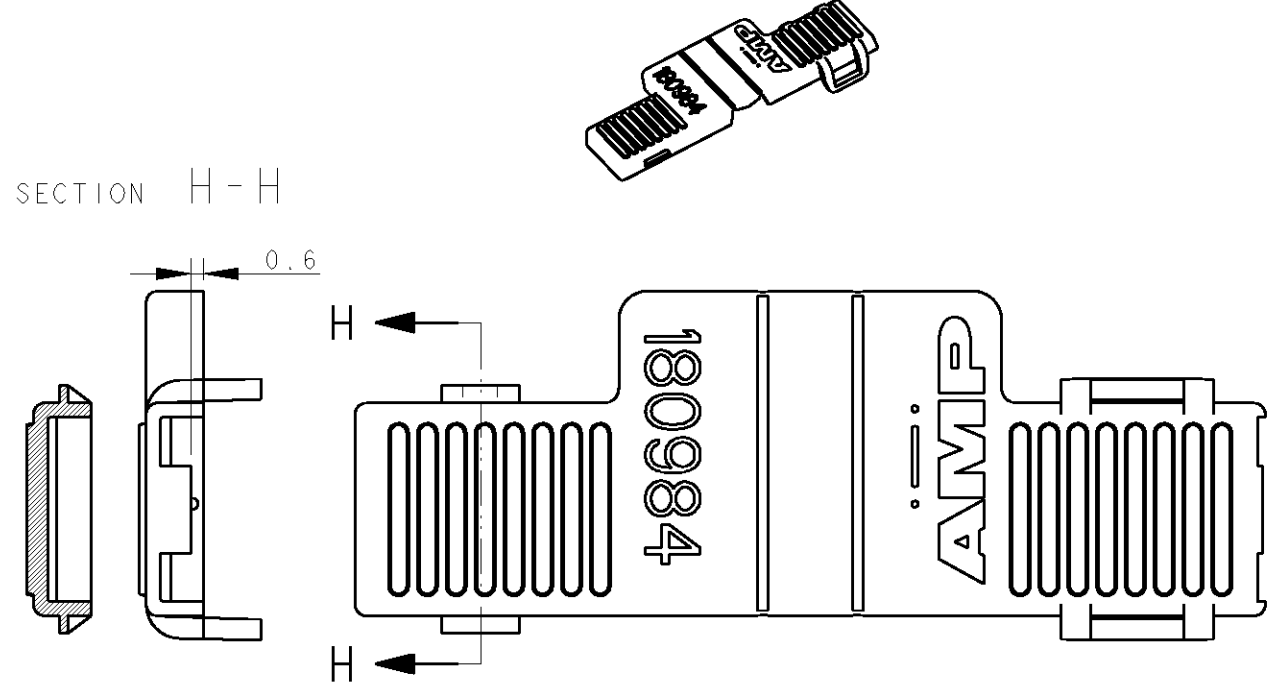
### TE CONNECTIVITY AMP DO BRASIL VARIATION

P/N.s INVOLVED:  
 1-180984-0  
 1-180984-1  
 1-180984-2  
 2-180984-0  
 3-180984-1



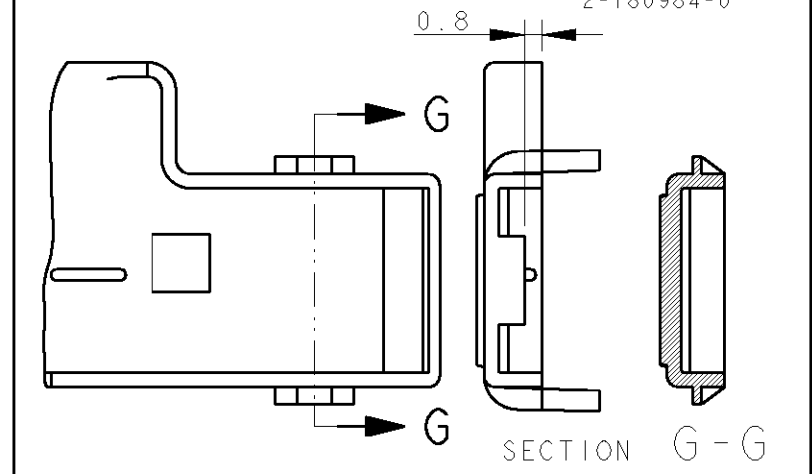
### TE CONNECTIVITY AMP SPAIN VARIATION

P/N.s INVOLVED:  
 7-180984-0  
 7-180984-5



### TE CONNECTIVITY AMP GERMANY VARIATION

P/N.s INVOLVED:  
 0-180984-0  
 0-180984-1  
 0-180984-5  
 2-180984-0



### STANDARD VERSION AND TE CONNECTIVITY AMP ITALY PRODUCTION

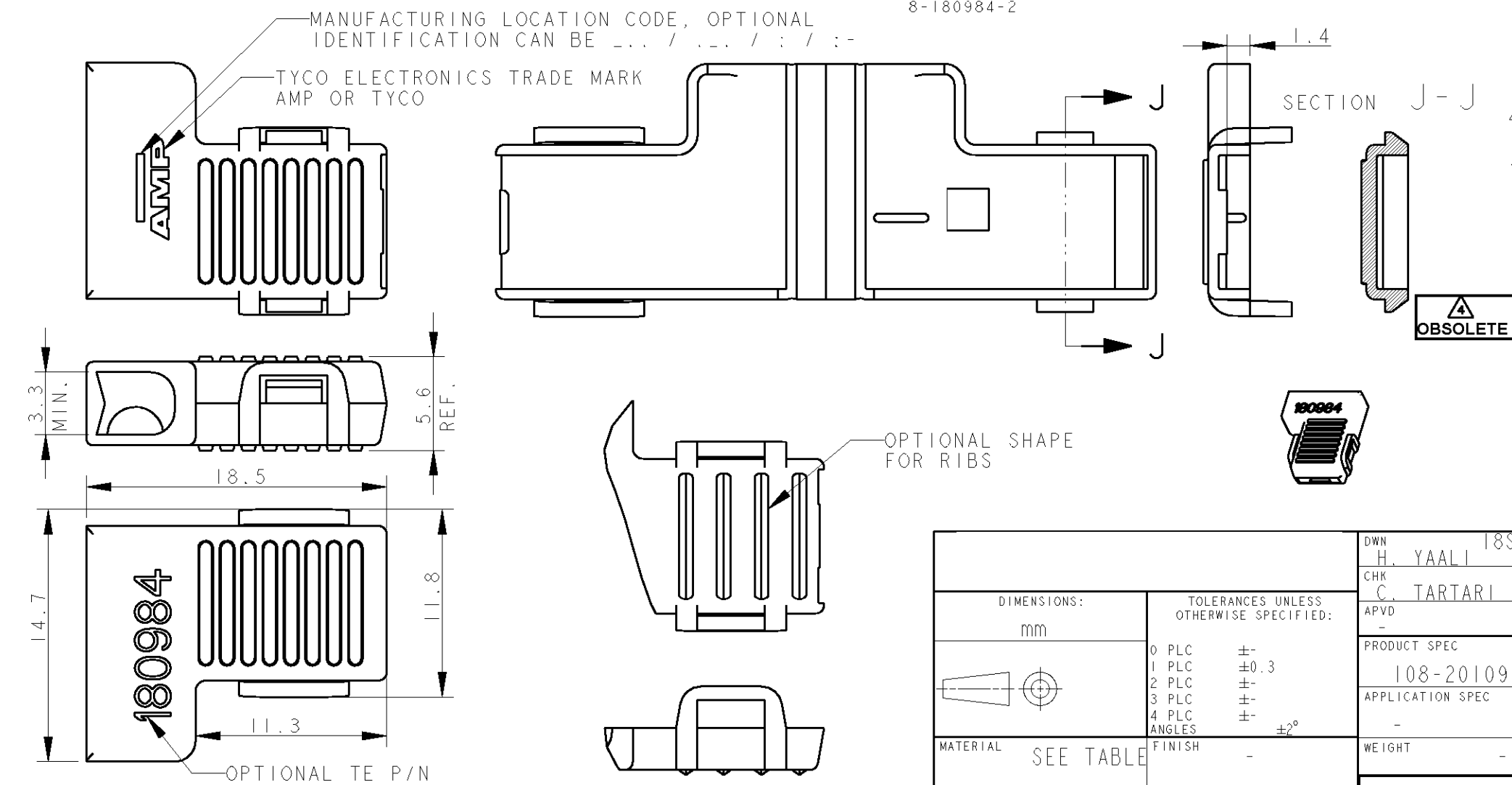
P/N INVOLVED:  
 8-180984-0  
 8-180984-1  
 8-180984-2

1) ADATTO PER TERMINALI FEMMINA FLAG FASTON 6.3 mm sr.  
 Es.: P/N.s 180464-..., 280050-..., 282181-..., 282184-...  
 (SUITABLE FOR FLAG FASTON .250" sr., RECEPTACLE CONTACTS  
 Ex.: P/N.s 180464-..., 280050-..., 282181-..., 282184-...)

2) CONDIZIONE DI FORNITURA (SUPPLY CONDITION)

3) PRODUCT IN ACCORDANCE TO IEC 60335-1 NORM.

4) OBSOLETE PARTS: OBSOLETE CIS STREAMLINING PER D.RENAUD/D.SINISI



3	COLORE (COLOUR)	MATERIALE (MATERIAL)	NUMERO (P/N)	REV
	NATURALE (NATURAL)	PA 6 UNFILLED	8-180984-2	AZ
	NERO (BLACK)	PA 6.6 UL 94-V0	8-180984-1	AY
	NATURALE (NATURAL)	PA 6.6 UNFILLED (UL 94-V2)	8-180984-0	AY
	NERO (BLACK)	PA 6.6 UNFILLED (UL 94-V2)	7-180984-5	AY
	NATURALE (NATURAL)	PA66, STOCK N. 702747-2	7-180984-0	AY
	NERO (BLACK)	PA 6.6 FLAME RETAD.	<del>3-180984-1</del>	AY
	NATURALE (NATURAL)	ULTRAMID A3W	<del>3-180984-0</del>	AY
	NERO (BLACK)		2-180984-0	AY
	ROSSO (RED)		1-180984-2	AY
	NATURALE (NATURAL)	PA 6.6 UNFILLED (UL 94-V2)	1-180984-1	AY
	NERO (BLACK)	PA 6.6 UNFILLED (UL 94-V2)	1-180984-0	AY
	ROSSO (RED)		0-180984-5	AY
	NATURALE (NATURAL)		0-180984-1	AY
	NATURALE (NATURAL)		0-180984-0	AY

DIMENSIONS: mm		TOLERANCES UNLESS OTHERWISE SPECIFIED:		DWN H. YAALI 18SEP2002
0 PLC ±		1 PLC ±0.3		CHK C. TARTARI
2 PLC ±		3 PLC ±		APVD
4 PLC ±		ANGLES ±2°		PRODUCT SPEC 108-20109
FINISH -		APPLICATION SPEC -		WEIGHT -
MATERIAL SEE TABLE		CUSTOMER DRAWING		

**STE** TE Connectivity

NAME: FLAG FASTON BOOT .250" SERIES

SIZE: A3 CAGE CODE: 00779 DRAWING NO: C-180984 RESTRICTED TO: -

SCALE: 3:1 SHEET OF REV: AZ4