

Panel mounting frames - VS-PPC-F1-RJ45-MNNA-1R-F - 1405358

Please be informed that the data shown in this PDF Document is generated from our Online Catalog. Please find the complete data in the user's documentation. Our General Terms of Use for Downloads are valid (<http://download.phoenixcontact.com>)



RJ45 panel mounting frame, IP67, for push-pull interlocking, metal, with the Freenet system, for square panel cutout, with grommet, without mounting screws



Key commercial data

Packing unit	1 pc
GTIN	4 046356 419949
Weight per Piece (excluding packing)	28.3 g
Custom tariff number	85389099
Country of origin	Germany

Technical data

Mechanical characteristics

Color	silver
-------	--------

Ambient conditions

Ambient temperature (operation)	-40 °C ... 70 °C
Degree of protection	IP65/67

Material data

Inflammability class according to UL 94	V0
Housing material	Zinc die-cast
Housing surface material	Nickel-plated
Material	Metal

Classifications

eCl@ss

eCl@ss 4.0	272607xx
eCl@ss 4.1	27260701
eCl@ss 5.0	27260701

Panel mounting frames - VS-PPC-F1-RJ45-MNNA-1R-F - 1405358

Classifications

eCl@ss

eCl@ss 5.1	27260701
eCl@ss 6.0	27260708
eCl@ss 7.0	27440312
eCl@ss 8.0	27440312

ETIM

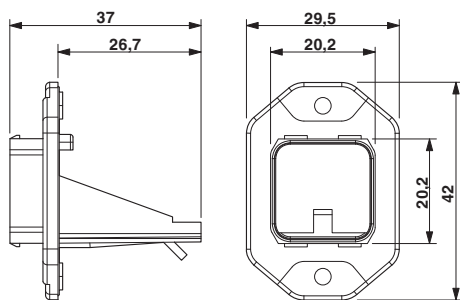
ETIM 3.0	EC001121
ETIM 4.0	EC001121
ETIM 5.0	EC002310

UNSPSC

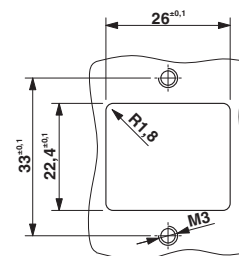
UNSPSC 6.01	31261501
UNSPSC 7.0901	31261501
UNSPSC 11	31261501
UNSPSC 12.01	31261501
UNSPSC 13.2	31261501

Drawings

Dimensioned drawing



Dimensioned drawing

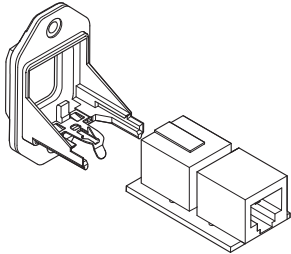


Panel cutout

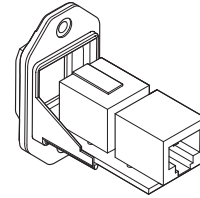
Push-Pull panel mounting frame, Freenet system, IP67

Panel mounting frames - VS-PPC-F1-RJ45-MNNA-1R-F - 1405358

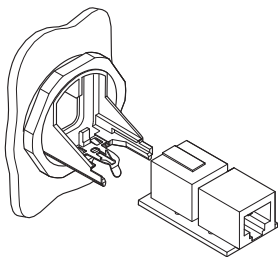
Schematic diagram



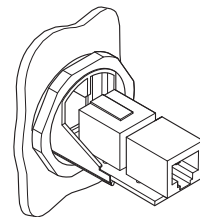
Schematic diagram



Schematic diagram



Schematic diagram



Explosion drawing

