

DATASHEET

ITEM: 39124

WHEEL U 140X50/60 CC SWIVEL TP X20

WHEEL SERIE

Monolithic aluminium wheels, suitable for high temp applications; available with ball bearings.

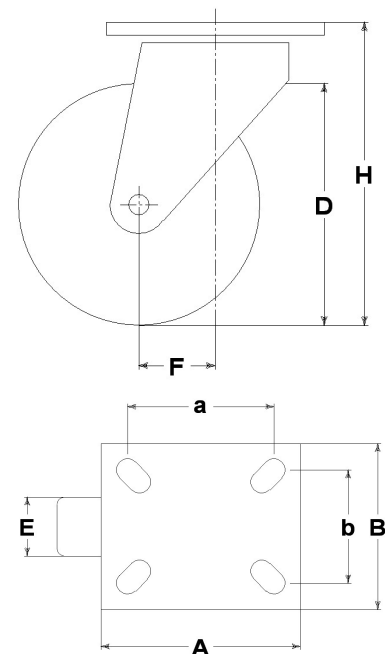
Wheel fitted with ball bearings.

FORK DESCRIPTION

Inox20 series, polished stainless steel forks, swivels with double ball races.

TECHNICAL DETAILS

Wheel diameter	(D)	140 mm	
Tyre width	(E)	50 mm	
Tyre width	(E)	20 mm	
Reference weight		0,875 kg	
Overall height	(H)	198 mm	
Top plate outer dimensions	(AxB)	135x110 mm	
Bolt hole spacing	(axb)	105x75 mm	
Bolt hole spacing	(axb)	105x80 mm	
Fixing bolt diameter	(g)	10 mm	
Offset	(F)	57 mm	
Fork width	(U)	60 mm	
Load capacity		370 kg	
Possible options :			
Wheel replacement		39024	CC
Brake		FR	



GENERAL INFORMATION / RECOMMENDATIONS AND WARNINGS

The cited text and the complete catalogue in their most up-dated versions are available in our web-site www.lagspa.eu/web/downloads. The dimensions, descriptions, specifications and illustrations herein are indicative and subject to variations without notice. The fact that products are illustrated herein does not necessarily imply they are available from stock nor does it place us under any obligation to supply them. Tests carried out refer to the original products with original accessories: the replacement of one of the components with others of different manufacture might prevent the same results from being achieved and will automatically invalidate any guarantee. Please contact our technical service concerning any special application.