

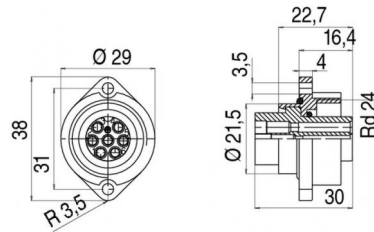
Product Female socket 6+PE, crimp termination, VDE, SEV, UL approval
Area RD 24 connectors serie 693

Pole 6+PE
Article number 09 4204 00 07

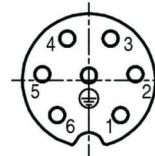
illustration



scale drawing

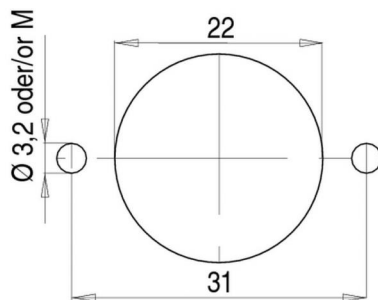


Contact Arrangement



	X	Y
1	3,25	-3,54
2	4,76	0,63
3	2,22	4,26
4	-2,22	4,26
5	-4,76	0,63
6	-3,25	-3,54
PE	0,00	0,50

Installation instructions / Mounting cutout



Technical data

Common values

Connector Design	Female socket
Connector locking system	Screw-locking
Termination	crimp
Wire gauge (mm)	0,14-1,5 mm ²
Wire gauge (AWG)	-
Max. Cable outlet	-
Upper temperature	+100 °C
Lower temperature	-40 °C

Material

Material of contact	CuSn (bronze)
Contact plating	Ag (silver)
Material of contact body	PBT
Material of housing	-

Cable data

Contacts 6+PE, female socket, crimp termination VDE, SEV, UL approval, crimp

Electrical values

Rated voltage	250 V
Rated impulse voltage	4000 V
Pollution degree	3
Overvoltage category	III
Material group	III
Rated current (40°C)	8 A
Volume resistivity	≤ 5 mΩ
EMV compliance	not shielded
Degree of protection	IP 67
Mechanical operation	>500 mating cycles

