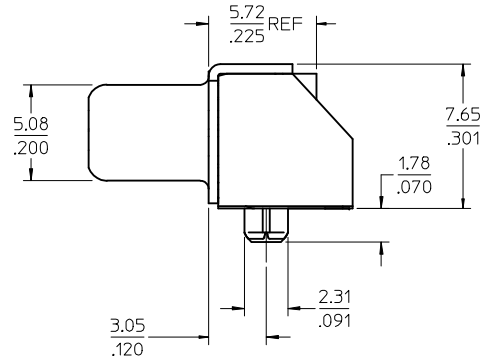
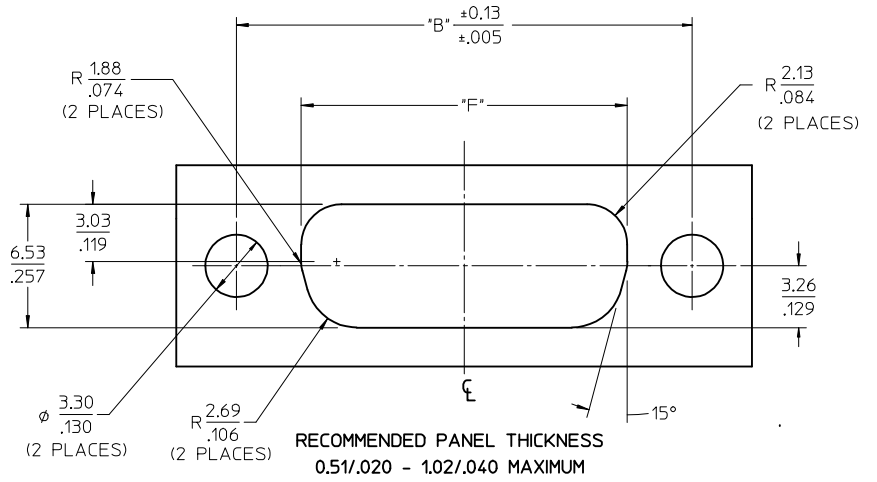
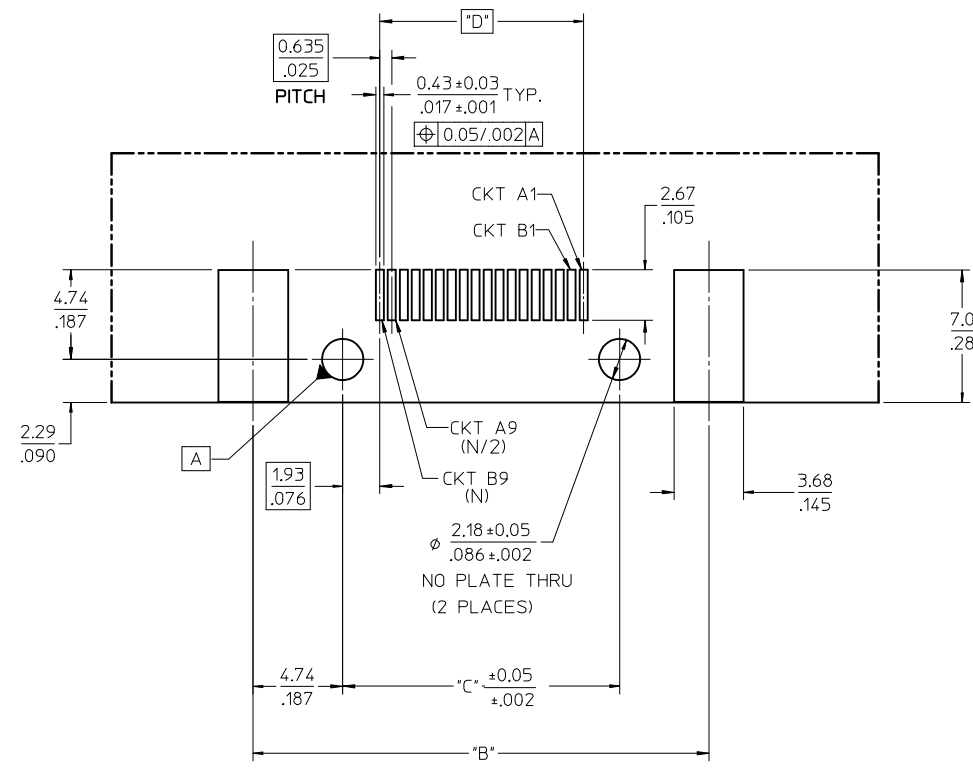


NOTES:

1. MATERIALS:
SHIELD - DEEP DRAWN STEEL
HOUSING - GLASS FILLED POLYMER, BLACK, UL 94V-0
CONTACTS - COPPER ALLOY
JACKPOST - STAINLESS STEEL
THREADED INSERT - BRASS
2. PLATING:
TERMINALS - SELECTIVE GOLD (Au) THICKNESS IN CONTACT AREA, 0.38 MICROMETERS/15 MICROINCHES MINIMUM;
SELECTIVE MATTE TIN (Sn) THICKNESS IN PC TAIL AREA, 2.54 MICROMETERS/100 MICROINCHES MINIMUM;
OVER NICKEL (Ni) UNDERPLATE OVERALL.
SHIELD - 2.54 MICROMETERS/100 MICROINCHES MINIMUM MATTE TIN (Sn) OVER 1.27 MICROMETERS/50 MICROINCHES MINIMUM NICKEL (Ni) OVER COPPER (Cu) UNDERPLATE OVERALL.
3. PC SMT TAILS AND 2 GROUND TABS ARE TO BE COPLANAR WITHIN 0.127/0.005.
4. PARTS TO BE PACKAGED IN TAPE AND REEL. SEE CHART ON SHEET 2 FOR PACKAGING SPECIFICATION.
5. REFER TO SHEET 2 FOR RECOMMENDED PCB LAYOUT AND PANEL CUT-OUT.
6. PRODUCT CONFORMS TO MOLEX PRODUCT SPECIFICATION PS-74960-000.
7. FOR TDP RECEPTACLE WITH M3 INTERNAL THREAD OPTION CONTACT PRODUCT MARKETING.



ADD JACKPOST MATERIAL EC NO: UCP2015-0231 DRWNT:IBARRA 2014/07/18 CHKD:MP0FF 2014/08/29 APPR:SMILLER 2014/09/04	QUALITY SYMBOLS	GENERAL TOLERANCES (UNLESS SPECIFIED)	DIMENSION STYLE	SCALE	DESIGN UNITS	THIRD ANGLE PROJECTION
	▽=0	mm INCH	MM/IN	5:1	INCH	
	▽=0	4 PLACES ± --- ± ---	DRAWN BY DATE	TITLE		
	▽=0	3 PLACES ± --- ± .010	JJANTELEZ10 07/15/2008	SALES DRAWING - PCIE/TDP SMT RECEPTACLE ASSEMBLY		
▽=0	2 PLACES ± 0.25 ± .015	CHECKED BY DATE	DOCUMENT NO.			
	1 PLACE ± 0.38 ± ---	TMCCLELL 07/15/2008	SD-74960-010			
	0 PLACE ± --- ± ---	APPROVED BY DATE	SHEET NO.			
		MBANAKIS 2010/10/29	1 OF 3			
		MATERIAL NO.	THIS DRAWING CONTAINS INFORMATION THAT IS PROPRIETARY TO MOLEX INCORPORATED AND SHOULD NOT BE USED WITHOUT WRITTEN PERMISSION			
		ANGULAR ±1/2°				
		DRAFT WHERE APPLICABLE MUST REMAIN WITHIN DIMENSIONS				



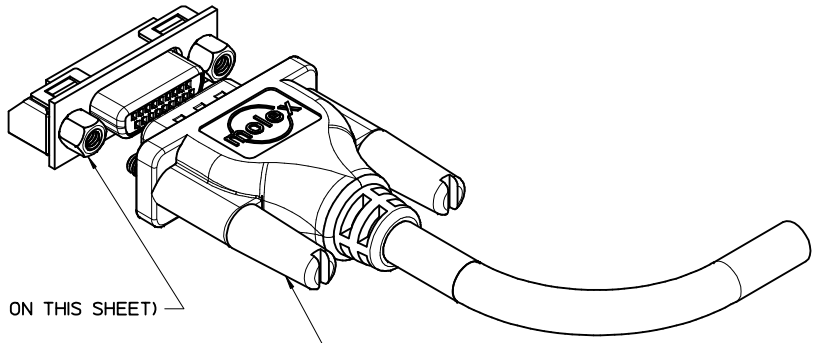
NOT TOOLED	MATERIAL NUMBER	CIRCUIT SIZE	"A" DIMENSION	"B" DIMENSION	"C" DIMENSION	"D" DIMENSION	"E" DIMENSION	"F" DIMENSION	PACKAGING SPECIFICATION	
	74960-3018	18	30.48 1.200	24.13 .950	14.66 .577	10.80 .425	15.87 .625	17.27 .680	PK-74960-995	
	74960-3028	28	36.83 1.450	30.48 1.200	21.01 .827	17.15 .675	22.17 .873	23.62 .930	PK-74960-995	
X	74960-3038	38	43.18 1.700	36.83 1.450	27.36 1.077	23.50 .925	28.52 1.123	29.97 1.180	N/A	CONTACT PRODUCT MARKETING
	74960-3048	48	49.53 1.950	43.18 1.700	33.71 1.327	29.85 1.175	34.87 1.373	36.32 1.430	PK-74960-996	
X	74960-3072	72	64.77 2.550	58.42 2.300	48.95 1.927	45.09 1.775	50.11 1.973	51.56 2.030	N/A	CONTACT PRODUCT MARKETING

- NOTES:
- ALL DIMENSIONS ON THIS SHEET ARE ±0.13 TOLERANCE UNLESS OTHERWISE SPECIFIED.
 - DIMENSIONS SHOWN ABOUT A CENTERLINE ARE SYMMETRICAL ABOUT THAT CENTERLINE WITHIN HALF THE SPECIFIED TOLERANCE.
 - PEG HOLES CAN BE 2.18MM / .086IN TO RETAIN PART TO BOARD OR ENLARGED TO 2.4MM / .094IN TO ACT AS CLEARANCE HOLES. A FIXTURE MUST BE USED TO PREVENT PART TILTING DURING REFLOW IF HOLES ARE ENLARGED. REFER TO SECTION 8.1 IN APPLICATION SPECIFICATION AS-74960-100.

SEE SHEET 1 EC NO: UCP2015-0231 DRWNT:IBARRA 2014/07/18 CHKD:MPOFF 2014/08/29 APPR:SMILLER 2014/09/04	QUALITY SYMBOLS ▽=0 ▽=0 ▽=0	GENERAL TOLERANCES (UNLESS SPECIFIED)		DIMENSION STYLE MM/IN		SCALE 5:1	DESIGN UNITS INCH	THIRD ANGLE PROJECTION																			
		<table border="1"> <tr> <th></th> <th>mm</th> <th>INCH</th> </tr> <tr> <td>4 PLACES</td> <td>±---</td> <td>±---</td> </tr> <tr> <td>3 PLACES</td> <td>±---</td> <td>±.010</td> </tr> <tr> <td>2 PLACES</td> <td>±0.25</td> <td>±.015</td> </tr> <tr> <td>1 PLACE</td> <td>±0.38</td> <td>±---</td> </tr> <tr> <td>0 PLACE</td> <td>±---</td> <td>±---</td> </tr> </table>			mm	INCH	4 PLACES	±---	±---	3 PLACES	±---	±.010	2 PLACES	±0.25	±.015	1 PLACE	±0.38	±---	0 PLACE	±---	±---	DRAWN BY JJANTELEZIO 07/15/2008 CHECKED BY TMCCLELL 07/15/2008 APPROVED BY MBANAKIS 2010/10/29		TITLE SALES DRAWING - PCIE/TDP SMT RECEPTACLE ASSEMBLY			
			mm	INCH																							
		4 PLACES	±---	±---																							
3 PLACES	±---	±.010																									
2 PLACES	±0.25	±.015																									
1 PLACE	±0.38	±---																									
0 PLACE	±---	±---																									
ANGULAR ±1/2°		MATERIAL NO.		DOCUMENT NO.		SHEET NO. 2 OF 3 molex SD-74960-010																					
DRAFT WHERE APPLICABLE MUST REMAIN WITHIN DIMENSIONS		SIZE C		THIS DRAWING CONTAINS INFORMATION THAT IS PROPRIETARY TO MOLEX INCORPORATED AND SHOULD NOT BE USED WITHOUT WRITTEN PERMISSION																							

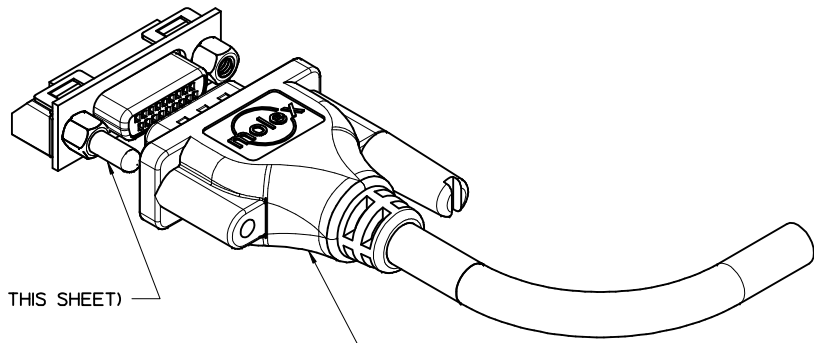
STANDARD CONFIGURATION

OPTIONAL CONFIGURATION



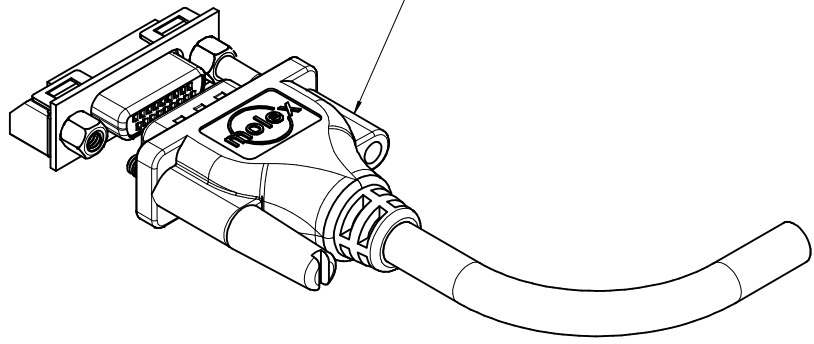
(SEE NOTE 1 ON THIS SHEET)

SEE SALES DRAWING SD-74576-000 FOR STANDARD CABLE PART NUMBER



(SEE NOTE 2 ON THIS SHEET)

SEE SALES DRAWING SD-74576-0300 FOR OPTIONAL CABLE PART NUMBER



RECOMMENDED JACKPOST INTERNAL THREAD OPTIONS (SEE NOTE 1 ON THIS SHEET)		OPTIONAL JACKPOST POLARIZATION HARDWARE (SEE NOTE 2 ON THIS SHEET)
4-40	M3	
74962-0001	74962-0002	74962-0100

4-40 THREAD INTERNAL THREAD	4-40 THREAD

1. RECOMMENDED JACK POST MOUNTING HARDWARE (QTY 2 PER ASSEMBLY), SEE CHART FOR ITEM NUMBERS AND SALES DRAWING SD-74962-000.
2. OPTIONAL JACK POST POLARIZATION HARDWARE,(QTY 1 PER ASSEMBLY), SEE CHART FOR ITEM NUMBER AND SALES DRAWING SD-74962-100.

SEE SHEET 1 EC NO: UCP2015-0231 TIDRWNT:IBARRA 2014/07/18 CHKD:MPFF 2014/08/29 APPR:SMILLER 2014/09/04	QUALITY SYMBOLS	GENERAL TOLERANCES (UNLESS SPECIFIED)	DIMENSION STYLE	SCALE	DESIGN UNITS	THIRD ANGLE PROJECTION
		mm INCH	MM/IN	4:1	INCH	
		4 PLACES ± --- ± ---	DRAWN BY	DATE	TITLE	
		3 PLACES ± --- ± .010	JJANTELEZ10	07/15/2008	SALES DRAWING - PCIE/TDP SMT RECEPTACLE ASSEMBLY	
		2 PLACES ± 0.25 ± .015	CHECKED BY	DATE		
	1 PLACE ± 0.38 ± ---	TMCCLELL	07/15/2008			
	0 PLACE ± --- ± ---	APPROVED BY	DATE			
		MBANAKIS	2010/10/29			
		MATERIAL NO.	SEE TABLE	DOCUMENT NO.	SD-74960-010	
		ANGULAR ±1/2°			SHEET NO. 3 OF 3	
		DRAFT WHERE APPLICABLE MUST REMAIN WITHIN DIMENSIONS		THIS DRAWING CONTAINS INFORMATION THAT IS PROPRIETARY TO MOLEX INCORPORATED AND SHOULD NOT BE USED WITHOUT WRITTEN PERMISSION		