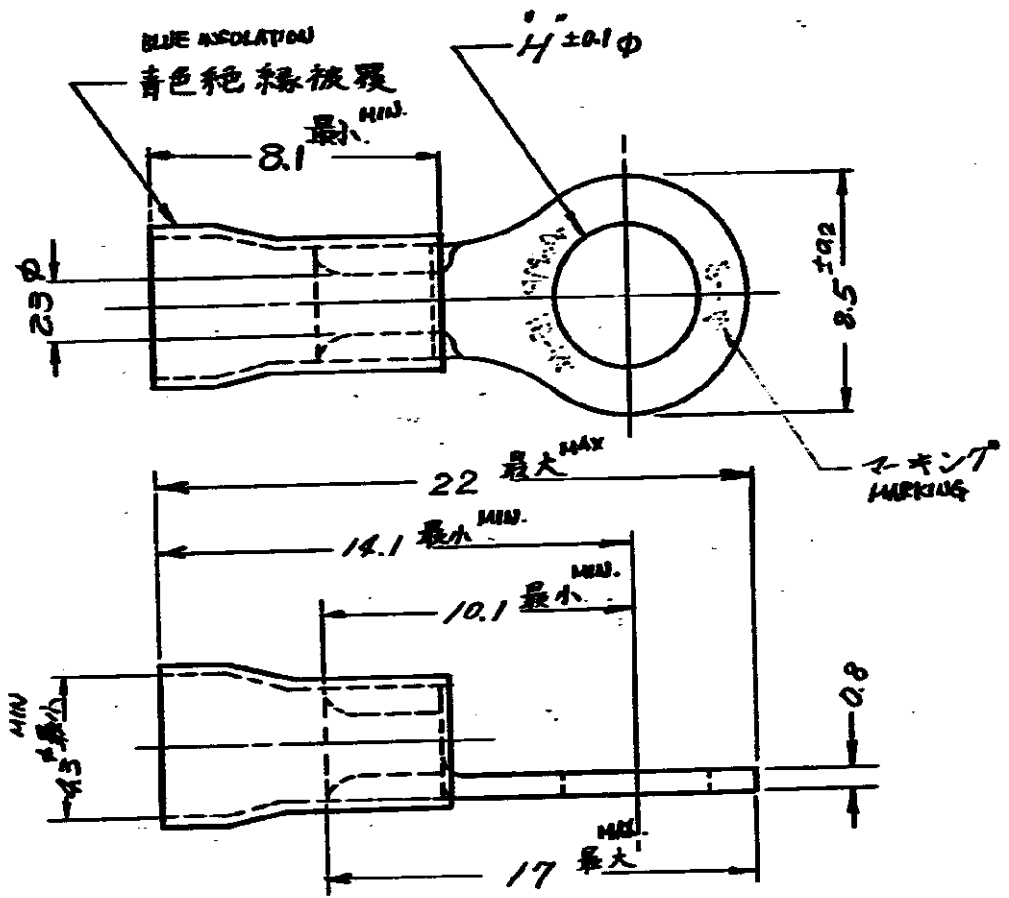


FIG. NUMBER
C-170782



◎ INACTIVE

FIG. NO.	FIG. NO.	JR. SPEC. NO.	DIM.	MARKING
ONTAPE 型番	型番	日本国有鉄道仕様書図面	寸法	マーキング
2-170782	170782-1	ED564465, PS 2-4	4.4	2-4

単位: 凡 寸法は mm DO NOT SCALE

C1 OBSOLETE (O/S) K.N. 4/T 6/24 C INACTIVE (JIS-7610) M.S. DO 3/24 B ADDED MATL. FINISH & WR 27/24 A ADDED DIM'S 28/24 O1 ADDED (REV. O1) 28/24 O RELEASED 2/31 2/31	参考図面 (CUSTOMER COPY) (REFERENCE ONLY)	
	AMP (JAPAN), LTD. Tokyo, Japan	
MAT'L: 電気銅 (ELECTRIC COPPER) FINISH: 鍍金 (GOLD PLATING)		AMP CLASS: 丸型 RNS TONGUE
DIMENSIONS: 1.02 ~ 2.62 (AWG 16-14)		TYPE: プラスティック (PLASTIC)
TOLERANCE: ±0.2 EXCEPT AS NOTED		SCALE: 1:1 LOC: JAC-170782 SIZE: C1
DR. J. Brui 11/12 CHK. M. A. 11/12		NAME: 絶縁被覆端子 (INSULATED TERMINAL)