



ENGLISH

Datasheet

RS Pro HSS 0.5 to 2.2 mm 10 Piece Micro Drill Set

RS Stock No: **457-627**



Product Details

RS Pro micro drill set consists of ten different drill bits of size ranging from 0.5 to 2.2 mm. Each drill bit produces precision holes in a range of materials including steel, aluminium, brass, polycarbonate and glass fibre.

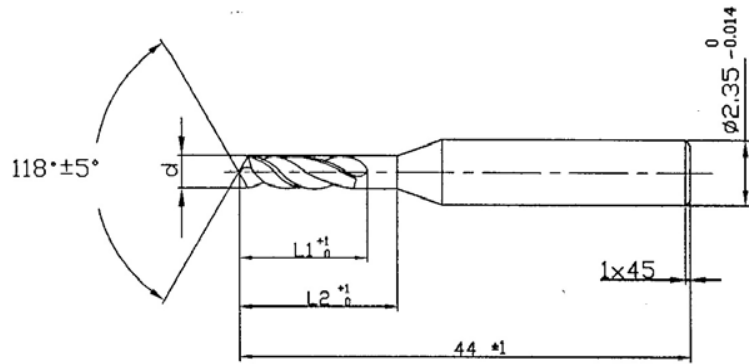
Features and Benefits

- Drill sizes 0.5, 0.6, 0.8, 0.9, 1.0, 1.3, 1.6, 1.7, 2.0, 2.2 mm
- Supplied in a plastic case
- Produces precision holes
- Suitable for use with steel, aluminium, brass, polycarbonate and glass fibre



Specifications:

Material	HSS
Maximum Size	2.2 mm
Minimum Size	0.5 mm
Number of Pieces	10
Set Contents	HSS Micro Drill Bits
Set Type	Micro Drill Set



RS STOCK NUMBER	MANUFACTURER PART NO.	Description	Dia.(d)	Tolerance(mm)	Overall Length(mm)	Flute Length(L1)mm
457588	HM100-0060	HSS drill bit 0.6mm	0.6mm	-0.014	44 ± 1	7 ± 1
457651	HM100-0080	HSS drill bit 0.8mm	0.8mm	-0.014	44 ± 1	11 ± 1
457598	HM100-0090	HSS drill bit 0.9mm	0.9mm	-0.014	44 ± 1	11 ± 1
457617	HM100-0100	HSS drill bit 1.0mm	1.0mm	-0.014	44 ± 1	11 ± 1
457611	HM100-0120	HSS drill bit 1.2mm	1.2mm	-0.014	44 ± 1	11 ± 1
457601	HM100-0130	HSS drill bit 1.3mm	1.3mm	-0.014	44 ± 1	11 ± 1
457605	HM100-0150	HSS drill bit 1.5mm	1.5mm	-0.014	44 ± 1	11 ± 1
457627	HM100-1000	HSS set 0.5 to 2.2mm	10pc contains 0.5,0.6,0.8,0.9,1.0,1.3,1.6,1.7,2.0,2.2mm			
448607	HM100-1000	HSS set 0.5 to 2.2mm	10pc contains 0.5,0.6,0.8,0.9,1.0,1.3,1.6,1.7,2.0,2.2mm			

Remarks:

- Material: HSS M2
- Shank Dia.: 2.35mm